



■ Features :

- True sine wave output (THD<3%)
- High surge power up to 3000W
- High efficiency up to 91%
- Power ON-OFF switch
- Standby saving mode can be selectable
- Front panel indicator for operation status
- Thermostatically controlled cooling fan
- Protections: Bat. low alarm / Bat. low shutdown / Over voltage / Over temp. / Output short / Input polarity reverse / Overload
- Application : Home appliance, power tools, office and portable equipment, vehicle and yacht ...etc.
- Optional monitoring software
- 2 years warranty



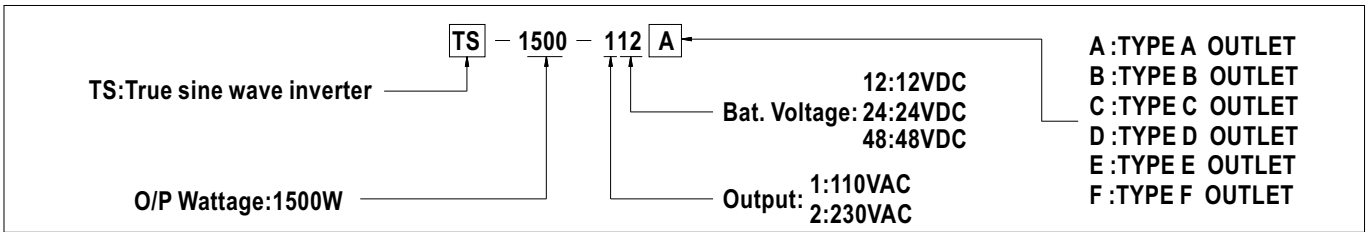
**SPECIFICATION**

MODEL	TS-1500-112□	TS-1500-124□	TS-1500-148□	TS-1500-212□	TS-1500-224□	TS-1500-248□	
OUTPUT	<b>RATED POWER (Typ.)</b> 1500W						
	<b>MAXIMUM OUTPUT POWER</b> 1725W for 180 sec. / 2250W for 10 sec. / surge power 3000W for 30 cycles						
	<b>AC VOLTAGE</b> 100 / 110 / 115 / 120VAC selectable by setting button			<b>200 / 220 / 230 / 240VAC</b> selectable by setting button			
	<b>FREQUENCY</b> 60±0.1%Hz 50/60Hz selectable by setting button S.W			<b>50±0.1%Hz 50/60Hz</b> selectable by setting button S.W			
	<b>WAVEFORM</b> True sine wave (THD<3%) at rated input voltage						
	<b>AC REGULATION (Typ.)</b> ±3.0%						
	<b>SAVING MODE (Typ.)</b> Load ≤5W will be changed to standby mode						
	<b>FRONT PANEL INDICATOR</b> Battery voltage level, output load level, saving mode, fault and operation status						
INPUT	<b>BAT. VOLTAGE</b>	12V	24V	48V	12V	24V	48V
	<b>VOLTAGE RANGE (Typ.)</b> Note.1	10.5 ~ 15VDC	21 ~ 30VDC	42 ~ 60VDC	10.5 ~ 15VDC	21 ~ 30VDC	42 ~ 60VDC
	<b>DC CURRENT (Typ.)</b> Note.5	150A	75A	37.5A	150A	75A	37.5A
	<b>NO LOAD DISSIPATION</b>	≤18W @ standby saving mode					
	<b>OFF MODE CURRENT DRAW</b>	≤1mA					
	<b>EFFICIENCY (Typ.)</b> Note.2	87%	89%	90%	88%	90%	91%
BATTERY INPUT PROTECTION	<b>BATTERY TYPES</b> Open & sealed Lead Acid						
	<b>FUSE</b>	40A*5	30A*3	30A*2	40A*5	30A*3	30A*2
	<b>BAT. LOW ALARM</b>	11.3±4%	22.5±4%	45±4%	11.3±4%	22.5±4%	45±4%
	<b>BAT. LOW SHUTDOWN</b>	10.5±4%	21±4%	42±4%	10.5±4%	21±4%	42±4%
	<b>BAT. POLARITY</b>	By internal fuse open					
OUTPUT PROTECTION	<b>OVER TEMPERATURE</b>	82°C ± 5°C	82°C ± 5°C	96°C ± 5°C	68°C ± 5°C	68°C ± 5°C	68°C ± 5°C
	<b>OUTPUT SHORT</b>	Protection type : Shut down o/p voltage, re-power on to recover; by internal RTH3 detect on heatsink of power transistor					
	<b>OVER LOAD (Typ.)</b>	105 ~ 115% load for 180 sec., 115% ~ 150% load for 10 sec. Protection type : Shut down o/p voltage, re-power on to recover					
	<b>GFCI PROTECTION</b>	Optional (Only type F)			None		
ENVIRONMENT	<b>WORKING TEMP.</b> Note.3	0 ~ +40°C @ 100% load ; 60°C @ 50% load					
	<b>WORKING HUMIDITY</b>	20% ~ 90% RH non-condensing					
	<b>STORAGE TEMP., HUMIDITY</b>	-30 ~ +70°C / -22 ~ +158°F, 10 ~ 95% RH					
	<b>VIBRATION</b>	10 ~ 500Hz, 3G 10min./1cycle, 60min. each along X, Y, Z axes					
SAFETY & EMC	<b>SAFETY STANDARDS</b>	UL458 (only for type F)			EN60950-1		
	<b>WITHSTAND VOLTAGE</b>	Bat I/P - AC O/P:3.0KVAC AC O/P - FG:1.5KVAC					
	<b>EMI CONDUCTION&amp;RADIATION</b>	Compliance to FCC class A			Compliance to EN55022 class B, 72/ 245/ CEE, 95/ 54/ CE, E-Mark		
	<b>EMS IMMUNITY</b>	-----			Compliance to EN61000-4-2,3,8 ENV50204		
OTHERS	<b>CONTROL WIRING</b>	RJ11 -RS232 (Option)					
	<b>DIMENSION</b>	420*220*88mm (L*W*H)					
	<b>PACKING</b>	6.81Kg; 2pcs/14.6Kg/1.89CUFT					
NOTE	1.Output derating capacity referenced by curve 1. 2.Efficiency is tested by 1000W, linear load at 13V, 26V, 52V input voltage. 3.Output derating capacity referenced by curve 2. 4.All parameters not specified above are measured at rated load, 25°C of ambient temperature. 5.DC current is tested by 1500W, linear load at 13V, 26V, 52V input voltage.						



1500W True Sine Wave DC-AC Power Inverter

**TS-1500** series

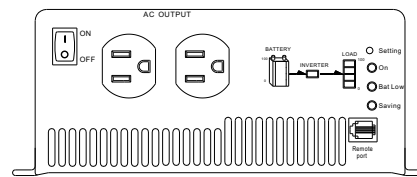
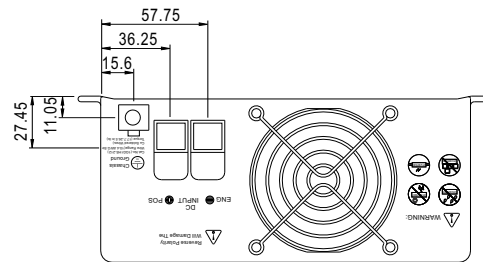
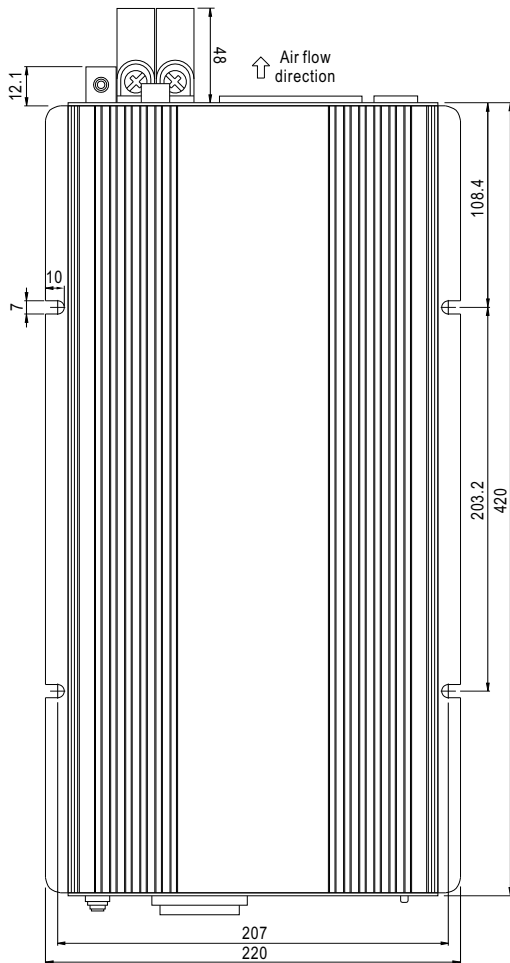


■ AC Output Receptacles (optional)

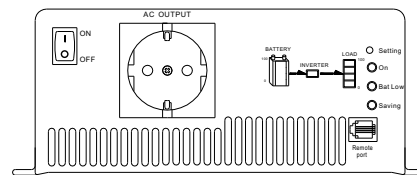
TYPE-A	TYPE-B	TYPE-C	TYPE-D	TYPE-E	TYPE-F
USA	EUROPE	AUSTRALIA	U.K	JAPAN	GFCI

■ Mechanical Specification

Unit:mm



Type-A



Type-B